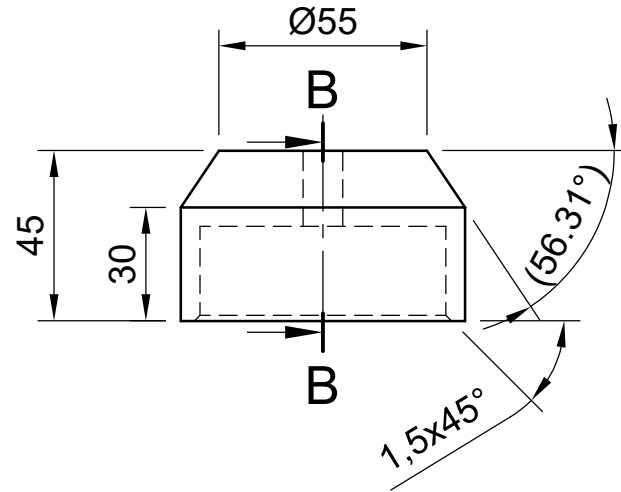
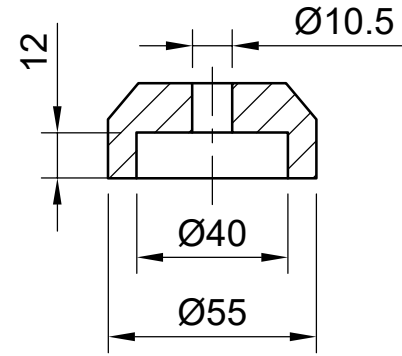
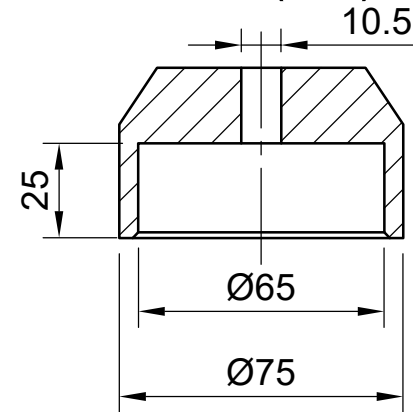


A-A (1:2)



B-B (1:2)



Dept.	Technical reference	Created by <b>Arno Radmacher 03.08.2022</b>	Approved by	
		Document type <b>Drawing</b>	Document status	
		Title <b>KW Vorne Wedi Ausdrückwerkzeug</b>	DWG No. <b>Ohne</b>	
		Rev.	Date of issue	Sheet <b>1/1</b>